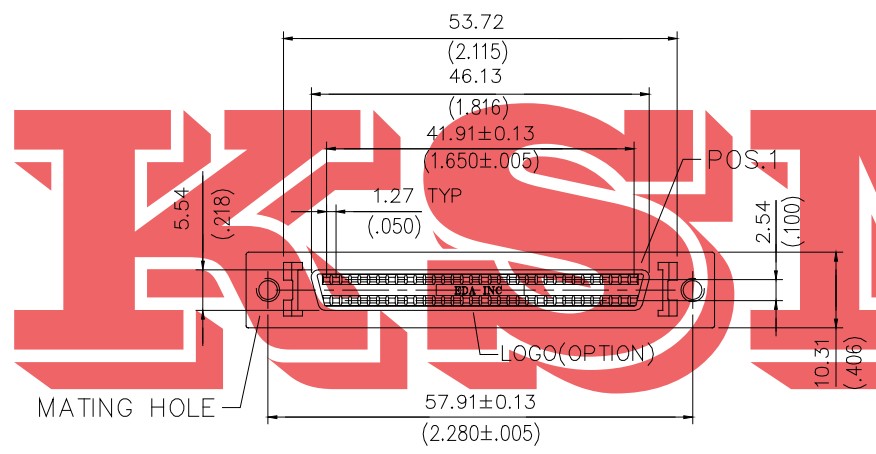
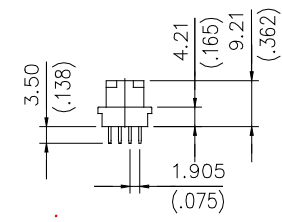
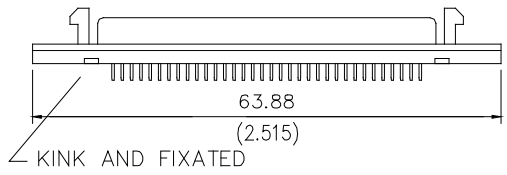


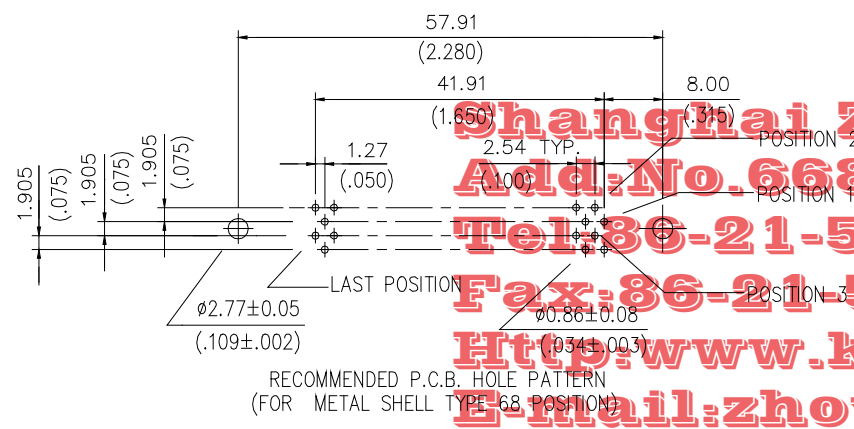
MARK	PLACES	ZONE	ECN	DATE



SPECIFICATION:
 HOUSING MATERIAL: PBT WITH GLASS-FIBER REINFORCED UL 94V-0
 CONTACT MATERIAL: PHOSPHOR BRONZE; GOLD OVER NICKEL
 RATED CURRENT: 1A
 INSULATION RESISTANCE: 500mΩ MIN.
 CONTACT RESISTANCE: 35mΩ MAX.
 DIELECTRIC WITHSTANDING VOL TAGE: AC 250V FORN1 MINUTE.
 OPERATING TEMPERATURE: -25℃ ~ +85℃



POSITION	A±0.10	B±0.15	C±0.15	D±0.10	E±0.20
14pin	7.62	11.84	19.43	23.62	29.59
20pin	11.43	15.65	23.24	27.43	33.40
26pin	15.24	19.46	27.05	31.24	37.21
36pin	21.59	25.81	33.40	37.59	43.56
50pin	30.48	34.70	42.29	46.48	51.45
68pin	41.91	46.13	53.72	57.91	63.88



RECOMMENDED P.C.B. HOLE PATTERN
 (FOR METAL SHELL TYPE 68 POSITION)

Shanghai ZhouRi Electronics CO., Ltd.
 Add: No. 668 Beijing East Road
 Tel: 86-21-51571121 53085565
 Fax: 86-21-51571120
 Http: www.ksmchina.com
 E-mail: zhouri11@163.com

UNLESS OTHERWISE SPECIFIED		
DIMENSION	TOLERANCE	
DECIMAL	ANGLE	
X .X	±0.3	±1°
X.XX	±0.2	±0.5°
X.XXX	±0.1	
X.XXXX	±0.05	
DESIGNED		
CHECKED		
APPROVED		

SERIES 1.27(0.50)	
SCSI-III H.D. STRAIGHT	
P.C.B TYPE, FEMALE CONNECTOR	
MODEL NO.	SCSI
DWG. NO.	ZR-SCSI-006
Item NO.	
REV.	A
SCALE	1:1
THE THIRD ANGLE PROJECTION	

上海洲日电子有限公司	
Shanghai ZhouRi Electronics CO., LTD.	
MATERIAL	FINISH
COLOR	QUANTITY
SHEET	OF
UNIT	mm
SIZE	A4
PAGES	